

# H3FD 500A-1600A

Class of operation: aR

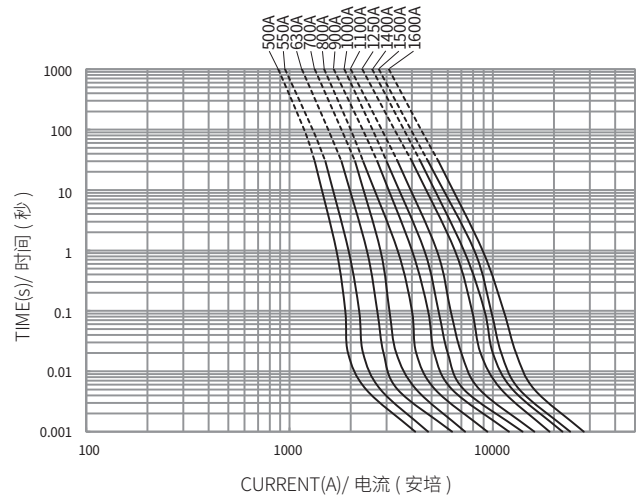
保护特性: aR



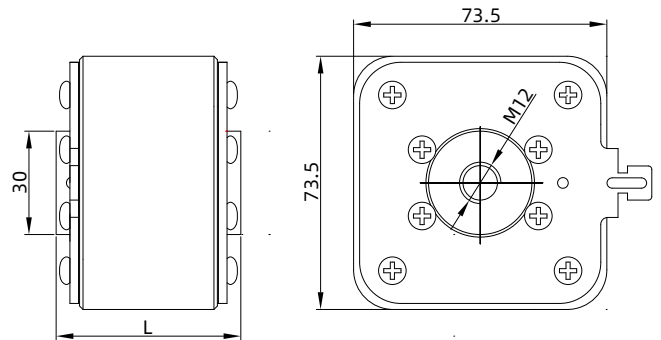
Standard/ IEC 60269-4, GB/T 13539.4, UL 248-13

INTERRUPTING CAPACITY/  
200,000 amperes at 690V AC

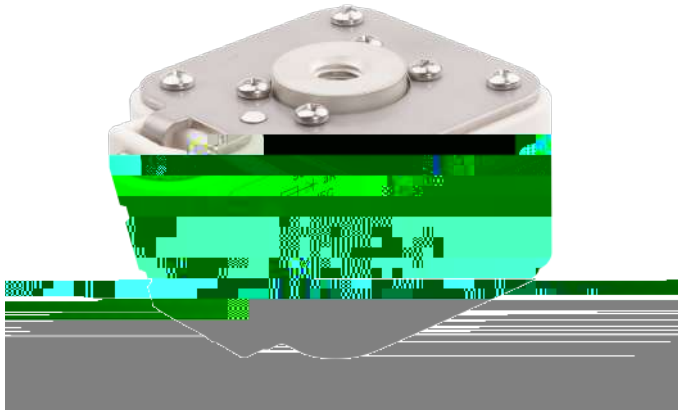
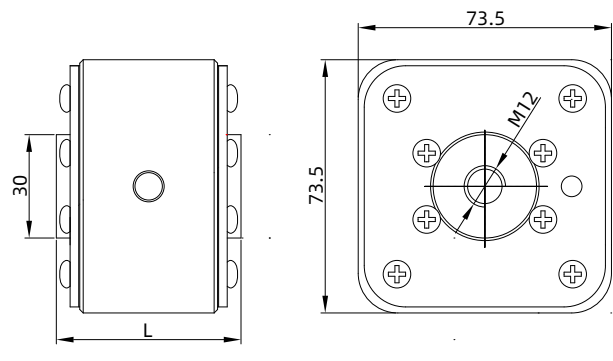
H3FD 平均 I-T 曲线图 (仅供参考)  
AVERAGE I-T CHARACTERISTICS CURVE  
(FOR REFERENCE ONLY)



Type:H3FD Part No.:H3FD(amp rating)B



Type:H3FD Part No.:H3FD(amp rating)C



PART NO. 目录编号			额定电流 Rated Current	额定电压 Rated Voltage	SAFETY APPROVALS 安全认证
Type-A Type center Indicator for micro	Type-B Type top Indicator for micro	Type-C Visual Indicator			CCC
H3FD500	H3FD500B	H3FD500C	500A	690V AC	●
H3FD550	H3FD550B	H3FD550C	550A		●
H3FD630	H3FD630B	H3FD630C	630A		●
H3FD700	H3FD700B	H3FD700C	700A		●
H3FD800	H3FD800B	H3FD800C	800A		●
H3FD900	H3FD900B	H3FD900C	900A		●
H3FD1000	H3FD1000B	H3FD1000C	1000A		●
H3FD1100	H3FD1100B	H3FD1100C	1100A		●
H3FD1250	H3FD1250B	H3FD1250C	1250A		●
H3FD1400	H3FD1400B	H3FD1400C	1400A		●
H3FD1500	H3FD1500B	H3FD1500C	1500A		●
H3FD1600	H3FD1600B	H3FD1600C	1600A		●

● DENOTES FOR APPROVAL  
○ DENOTES FOR PENDING

● 表示已取得安全认证  
○ 表示正在申请安全认证

目录编号 PART NO.	可选配件 Optional Accessory
	微动开关 Microswitches
H3FD(amp rating)	HMC-01
H3FD(amp rating)B	HMT-01

目录编号 PART NO.	额定电流 Rated Current (A)	L (mm)
H3FDXXX	500-1500	53
H3FDXXXB	1600	65
H3FDXXXC		

Dimensions/ : Unit 单位: mm

Type:H3FD Part No.:H3FD(amp rating)

